



“MAKE THIS STEEL RITE!”

Toll Free: 855-855-0399 Email: info@atosausa.com
www.atosa.com | www.atosausa.com
 California, Colorado, Florida, Georgia, Illinois,
 Massachusetts, New Jersey, Ohio, Texas, Washington

One Compartment Prep Sink

MODELS:
MRSA-1-N

Standard Features

- Entire sink is formed from a single sheet, fused and polished creating a one-piece sanitary unit
- All exposed welds are grounded smooth and polished to blend with adjacent surfaces providing a satin finish
- Large radius on all corners both vertically and horizontally
- Galvanized legs are standard on all models
- Adjustable ABS bullet feet
- Faucets sold separately

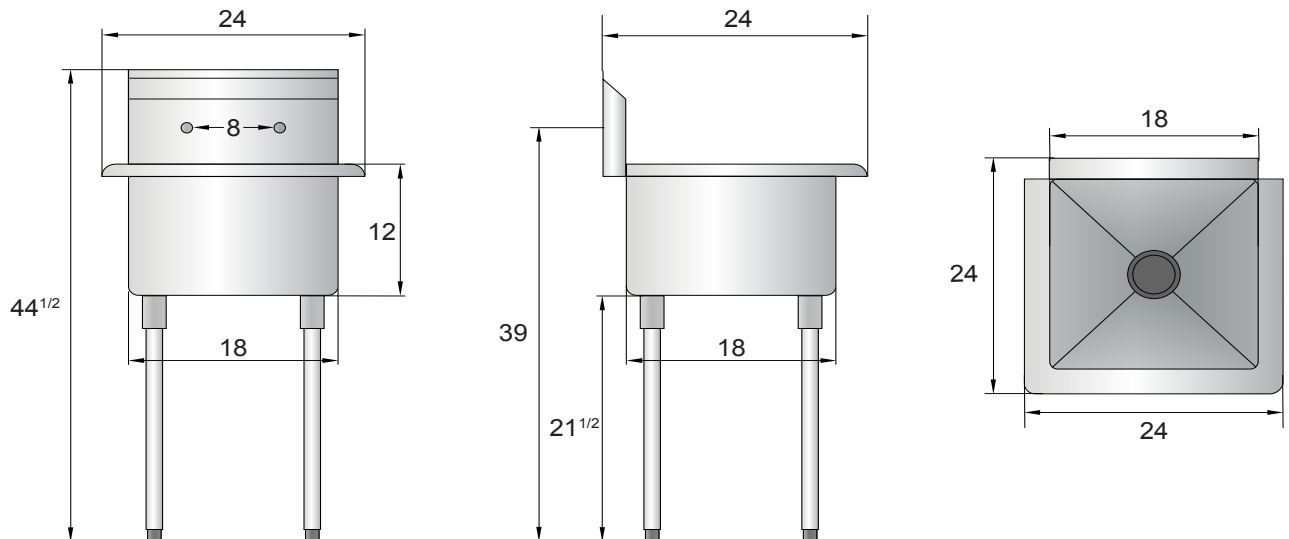


Optional Features

- Leg cross bar (pair) part #: MRPN007

Model	Ga.	Bowl Size(inch)	Leg Size(inch)	Exterior Dimensions(inch)	Net Weight(lbs)
MRSA-1-N	18	18 × 18 × 12	21 ^{1/2}	24 × 24 × 44 ^{1/2}	30

PLAN VIEW



90 DAYS WARRANTY ON WORKMANSHIP

Atosa International
www.atosa.com

Atosa USA
www.atosausa.com

Atosa is continuously improving products. Specifications are subject to change without notice. 168

